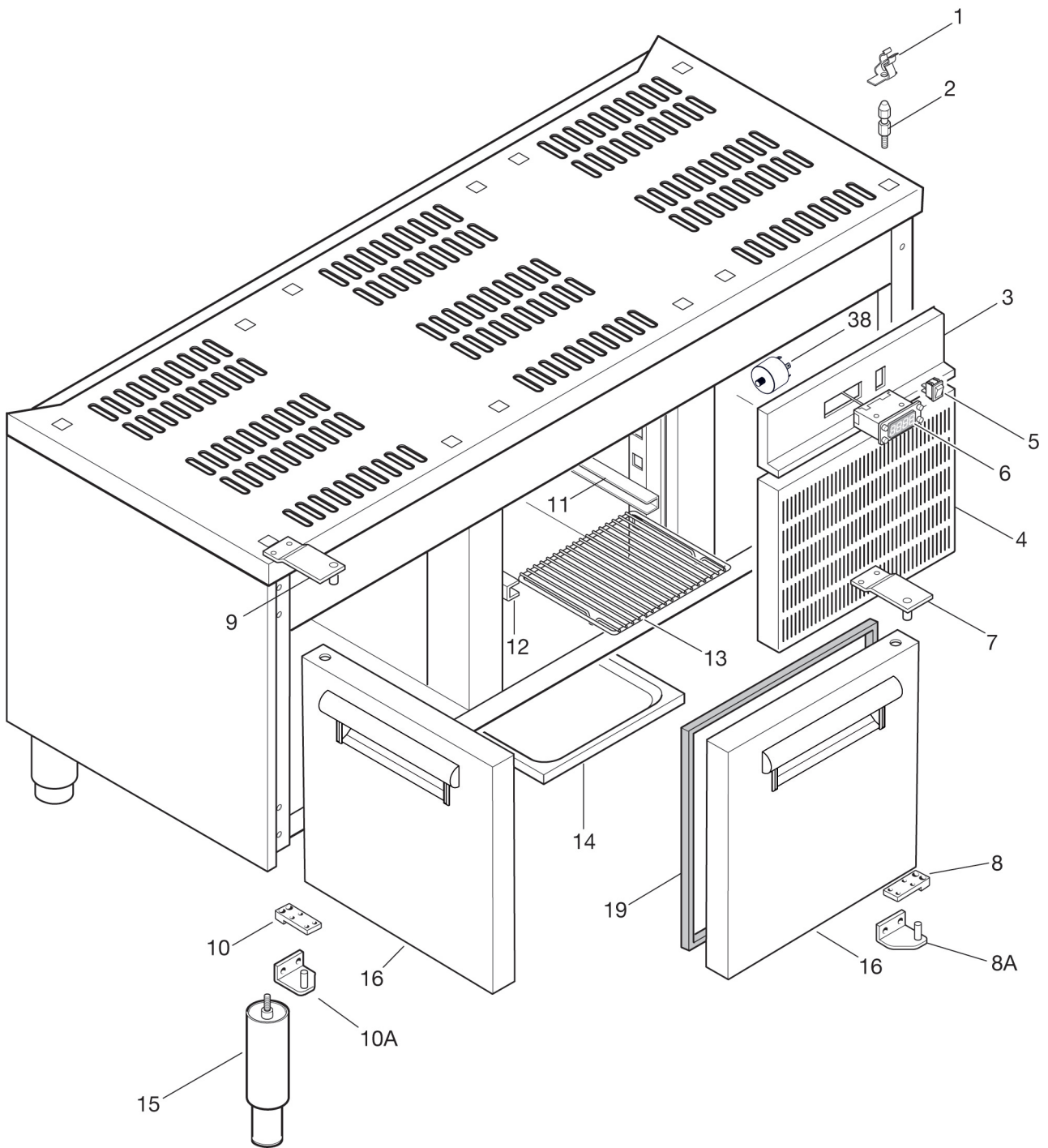


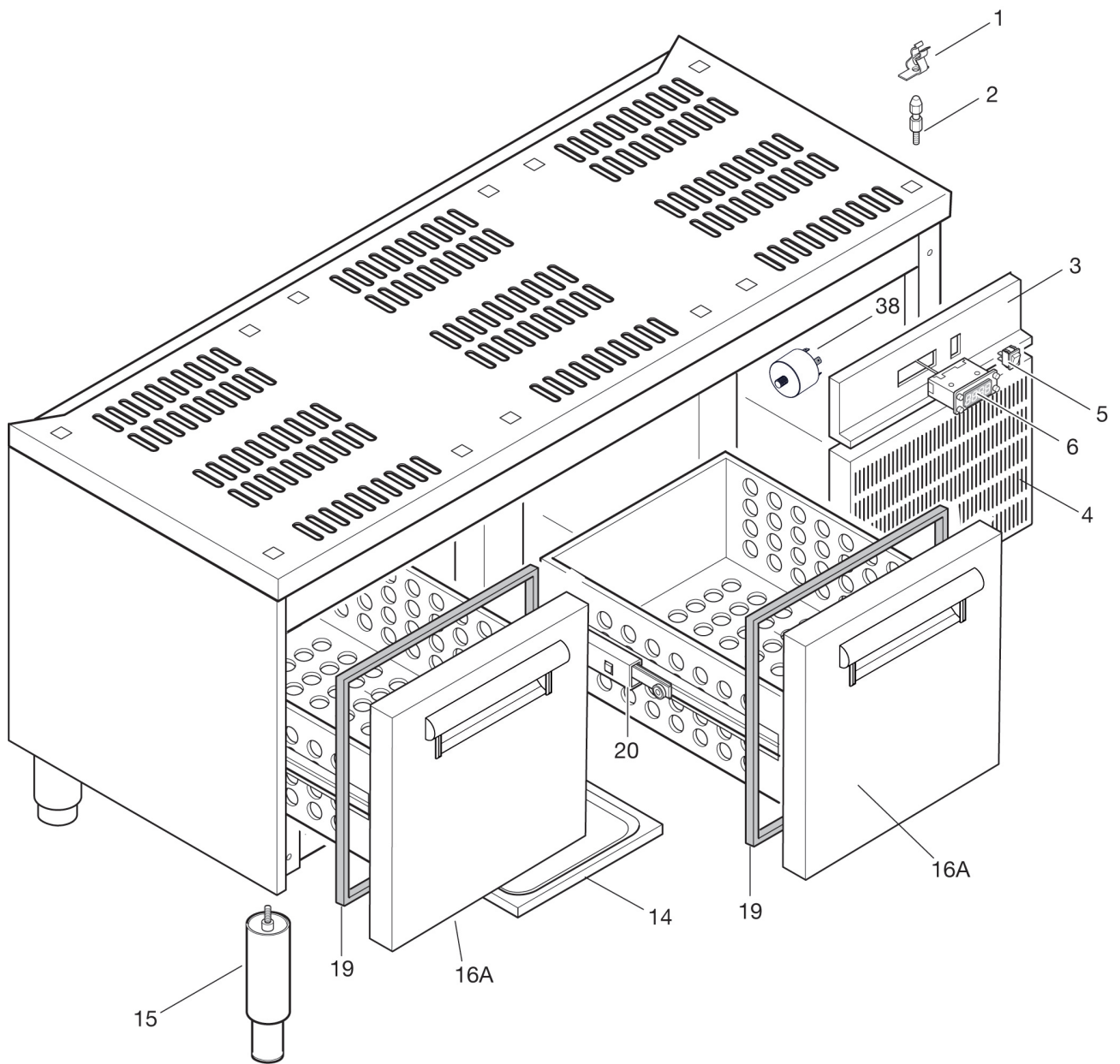
SPARE PARTS CATALOGUE  
 CATALOGO PARTI DI RICAMBIO  
**FREEZER E BASE REFRIGERATA E700, E900 60 Hz R290**  
**FREEZER AND REFRIGERATED BASE E700, E900 60 Hz R290**

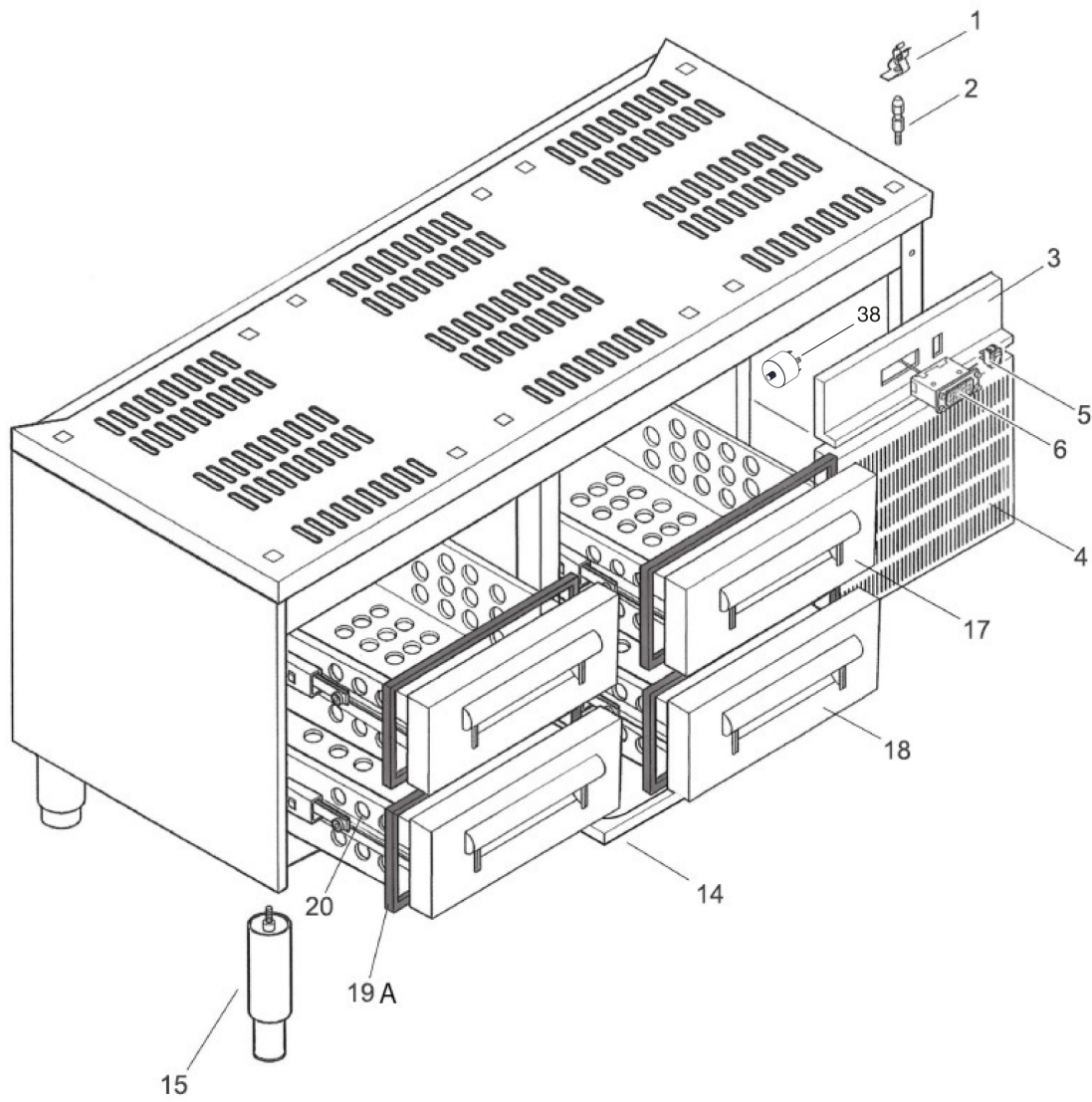
PNC	Model	Ref Pag.	Brand	Version	Notes
371370	E7TTAPCOMIN	2-6	ELUX	EL	REFRIG BASE WITH 2 DRAWERS 1200MM-60HZ - R290
371371	E7TTCPCOMIN	2-6	ELUX	EL	REFRIG BASE WITH 2 DOORS 1200MM-60HZ - R290
371372	E7TTAPCOMKN	2-6	ELUX	EL	REFRIG BASE WITH 3 DRAWERS 1600MM-60HZ - R290
371373	E7TTCPCOMKN	2-6	ELUX	EL	REFRIG BASE WITH 3 DOORS 1600MM-60HZ - R290
371374	E7TTEPCOMIN	2-6	ELUX	EL	FREEZ BASE+2DRAWERS -15-20°C 1200MM-60HZ - R290
371375	E7TTBPCOMIN	2-6	ELUX	EL	REFRIG BASE WITH 4 DRAWERS 1200MM-60HZ - R290
371376	E7TTBPCOMKN	2-6	ELUX	EL	REFRIG BASE WITH 6 DRAWERS 1600MM-60HZ - R290
391603	E9TTAPCOMIN	2-6	ELUX	EL	REFRIG BASE WITH 2 DRAWERS 1200MM-60HZ - R290
391604	E9TTAPCOMKN	2-6	ELUX	EL	REFRIG BASE WITH 3 DRAWERS 1600MM-60HZ - R290
391605	E9TTBPCOMKN	2-6	ELUX	EL	REFRIG BASE WITH 6 DRAWERS 1600MM-60HZ - R290

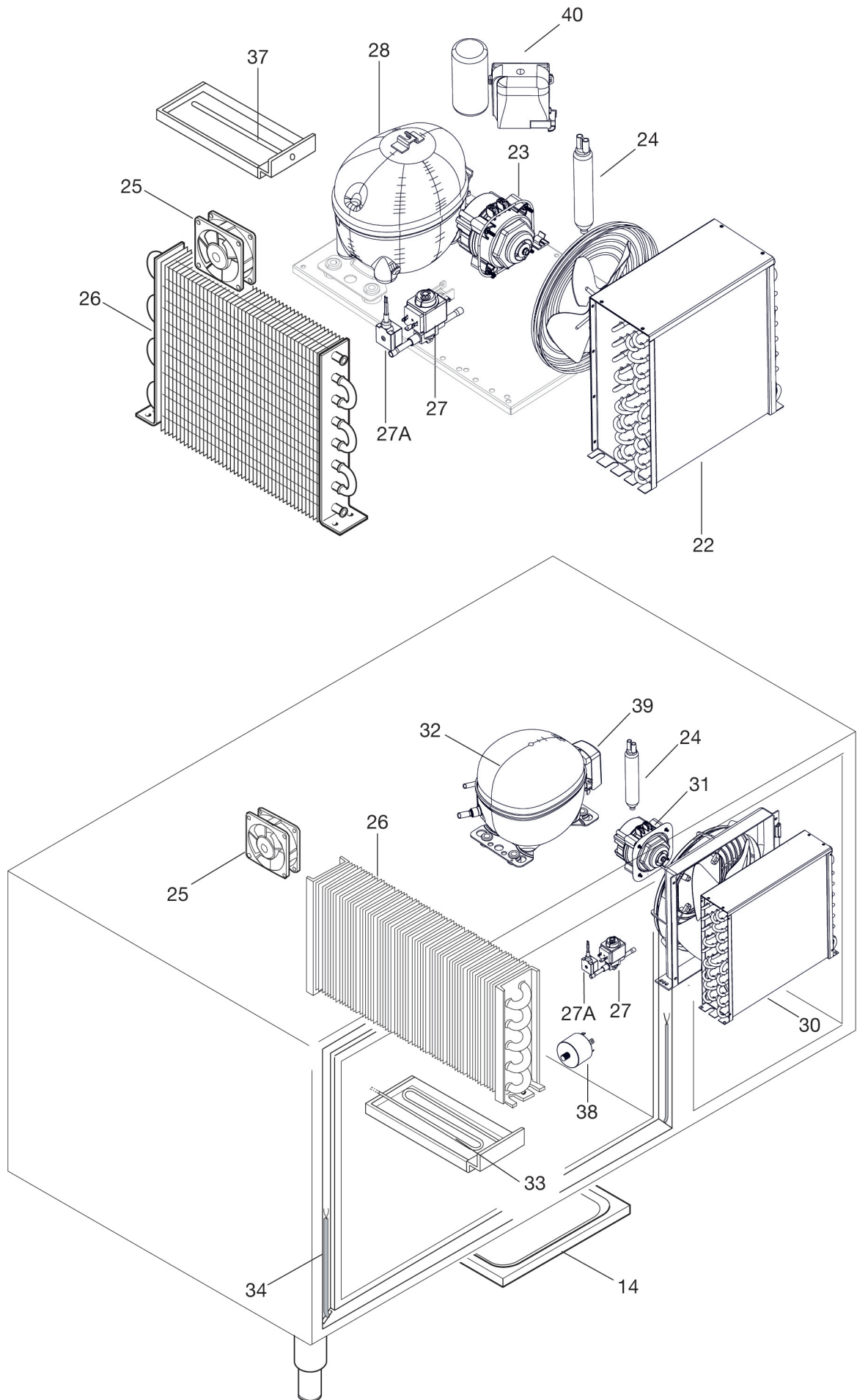
Pag.	Index	Indice	Note
2	Base with doors	Base con porte	
3	Base with drawers	Base con cassette	
4	Base with 4-6 drawers	Base con 4-6 cassette	
5	Refrigerated group	Gruppo completo	
6-7	Spare parts list	Lista ricambi	

Brand/Marchio:  
 Factory code:









**FREEZER E BASE REFRIGERATA E700XP, E900XP 60 Hz R290**  
**FREEZER AND REFRIGERATED BASE E700XP, E900XP 60 Hz R290**

<i>Pos.</i>	<i>Factory Code</i>	<i>Spare Code</i>	<i>Descrizione</i>	<i>Description</i>	<i>Ref./Note</i>
1	3960061		Molletta	Spring	
2	3960077		Perno filettato M6	M6 Pin	
3	2505738		Cruscotto base 3 porte/cassetti	Control panel base with 3 doors/drawers	3/6 Drawers/Door (1600mm)
3	2505751		Cruscotto base 2 porte/cassetti	Control panel base with 2 doors/drawers	2/4 Drawers/Door (1200mm)
4	2505752		Griglia cruscotto base 2 porte/cassetti	Grid for control panel base with 2 doors/drawers	2/4 Drawers/Door (2600mm)
4	2505739		Griglia cruscotto base 3 porte/cassetti	Grid for control panel base with 3 doors/drawers	3/6 Drawers/Door (1600mm)
5	3700160		Interruttore generale	Main switch	
6	3700126		Termoregolatore digitale	Digital thermoregulator	EW PLUS 974
7	2505716DX		Cerniera superiore destra	Right upper hinge	Doors
8	2505707		Assieme cerniera inferiore destra	Right lower hinge assembly	Doors
8A	2505638		Assieme cerniera inferiore destra	Right lower hinge assembly	Doors
9	2505716SX		Cerniera superiore sinistra	Left upper hinge	Doors
10	2505708		Assieme cerniera inferiore sinistra	Left lower hinge assembly	Doors
10A	2505637		Assieme cerniera inferiore sinistra	Left lower hinge assembly	Doors
11	2505647		Guida destra per griglia	Right runner for grid	Doors
12	2505648		Guida sinistra per griglia	Left runner for grid	Doors
13	3960138		Griglia plastificata gn1/1	Plasticized grid gn 1/1	Doors
14	3960134		Bacinella per raccolta condensa	Basin for collecting the condensate	
15	3960084		Piede 1"3/4	Foot 1"3/4	
16	7505054 *		Assieme cassetto completo	Complete drawer assembly	Drawers ELUX
16	7505039 **		Assieme porta completo	Complete door assembly	Doors ELUX
16A	7505038 **		Assieme porta/cassetto completo	Complete door/drawer assembly	ELUX
17	7505057 *		Assieme cassetto superiore completo	Upper drawer assembly	4-6 Drawers ELUX
18	7505060 *		Assieme cassetto inferiore completo	Lower drawer assembly	4-6 Drawers ELUX
19	2505601		Guarnizione magnetica	Magnetic gasket	365x353 mm
19A	2505700		Guarnizione magnetica	Magnetic gasket	365x148 mm
20	3305032		Coppia guide telescopiche 600mm	Drawer slide 600mm	P=700 mm
20A	3305011		Coppia guide telescopiche 650mm	Drawer slide 650mm	P=900 mm
21	3650535		Assieme gruppo, compreso evaporatore	Refrigerated group assembly, including evaporator	
22	3650546		Condensatore	Condenser	
23	3650548		Motore-ventilatore condensatore	Fan motor condenser	
24	3650525		Filtro	Filter	GFSN30
25	3650549		Ventilatore evaporatore	Evaporator fan	80x80x38 mm
26	3650337		Evaporatore	Evaporator	
27	3740029		Valvola solenoide ¼ ATEX	solenoid valve ¼ ATEX	
27A	3740033		Connettore bobina valvola solenoide ATEX	ATEX coil solenoid valve connector	
28	3650550		Compressore base refrigerata	Compressor refrigerated base	

**FREEZER E BASE REFRIGERATA E700XP, E900XP 60 Hz R290**  
**FREEZER AND REFRIGERATED BASE E700XP, E900XP 60 Hz R290**

<i>Pos.</i>	<i>Factory Code</i>	<i>Spare Code</i>	<i>Descrizione</i>	<i>Description</i>	<i>Ref./Note</i>
40	3650560		Parte elettrica compressore	Compressor electrical part	
29	3650536		Assieme gruppo freezer, compreso evaporatore	Refrigerated group freezer assembly, including evaporator	freezer
30	3650552		Condensatore freezer	Condenser freezer	freezer
31	3650553		Motore-ventilatore condensatore freezer	Fan motor condenser freezer	freezer
32	3650551		Compressore freezer	Compressor freezer	freezer
33	3650081		Resistenza vaschetta interna freezer	Internal tray heating element freezer	freezer
34	3650089		Resistenza Cornice	Draining stopping heating element	freezer
35	3700089		Sonda NTC 1,5 m	NTC Probe 1,5 m	
36	3700123		Sonda NTC 3 m	NTC Probe 3 m	
37	3710020		Resistenza di auto-evaporazione	Autoevaporation heating element	150W
38	3650042		Filtro antidisturbo	Noise filter	
39	3650561		Parte elettrica compressore	Compressor electrical part	freezer

\* comprende frontale, involucro, guide e guarnizione - includes front, casing, guides and gasket

\*\* comprende frontale e guarnizione – includes front and gasket